


PRODUCT SHEET

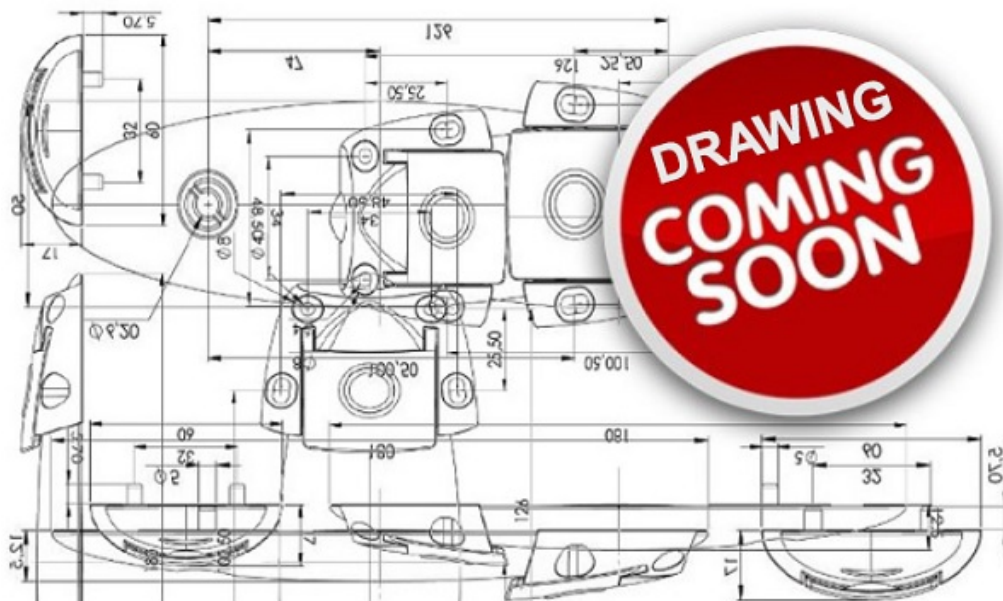
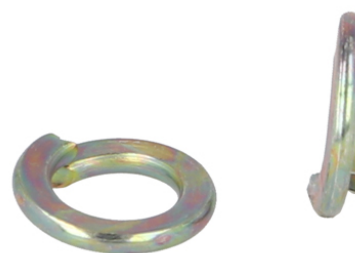
Description:

Spring Washer, DIN 127, Steel, YZP,2,2mm,ID 10,5mm,OD 17,5mm

Item number:

12.13.365-1

Units	Box	Carton	HS Code	Barcode
Pcs.	1	6000	7318220098	
				5704866105231



SISO A/S

Mileparken 11
DK-2740 Skovlunde
Denmark
VAT: DK 24786013

Phone +45 45 830 900

www.siso.dk
siso@siso.dk

Danske Bank
Nytorv Branch
Copenhagen
SWIFT: DABADKKK

Account no.
4180 3112 112936
IBAN Account
DK7230003112112936